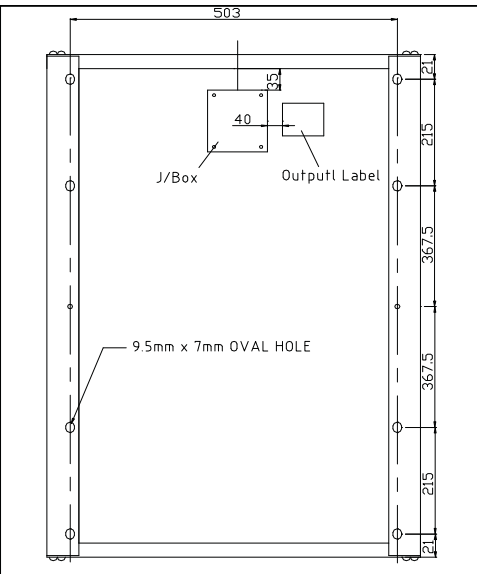
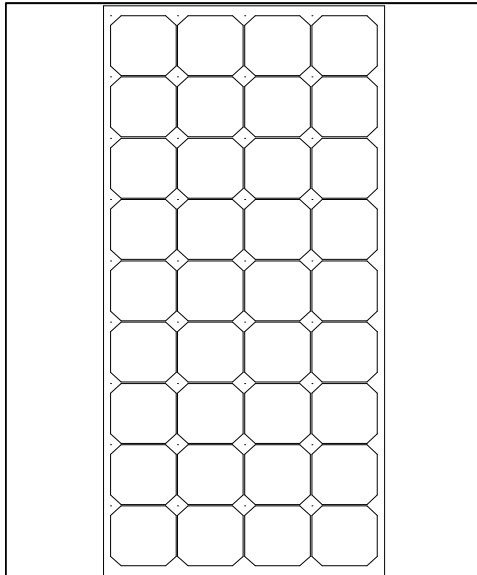


SP SOLAR SP750P (60, 65, 70, 75, 80, 85W)

High-efficiency photovoltaic module using silicon crystalline cells



All dimensions in mm
Tolerance +/- 2mm

MODULE TYPE	
TYPE OF CELL (W * L)	125mm*125mm
NUMBER OF CELL	36
CELL FORMAT	4rows x 9 cells
GLASS SIZE	1190*536*3mm
ALUMINIUM PROFILE	24.5mm BLACK-POWDER COATED
SHORT FRAME	541mm
LONG FRAME	1195mm
SIZE OF MODULE (incl screws)	1207*541*25mm
MAXIMUM POWER (Wp)	
POWER TOLERANCE	+5%
OPEN CIRCUIT VOLTAGE (Voc)	21.00V
VOLTAGE @ MAXIMUM POWER (Vmp)	17.10V
SHORT CIRCUIT CURRENT (Isc)	3.81A
CURRENT @ MAXIMUM POWER (Imp)	3.51A
STANDARD TESTING CONDITION	AM1.5, 1000W/M ² , 25°C
WEIGHT OF MODULE	7.7kg
PACKAGING	4 MODULES IN BOX
MODULE PER PALLET	10*4
MODULE CONSTRUCTION	GLASS/TEDLAR
WARRANTY	20 YEARS/80% YIELD
INITIAL DATE	Jun-09

60Wp	65Wp	70Wp	75Wp	80Wp	85Wp
125mm*125mm					
36					
4rows x 9 cells					
1190*536*3mm					
24.5mm BLACK-POWDER COATED					
541mm					
1195mm					
1207*541*25mm					
60Wp	65Wp	70Wp	75Wp	80Wp	85Wp
+5%					
21.00V	21.20V	21.50V	21.60V	21.70V	21.80
17.10V	17.20V	17.30V	17.40V	17.60V	17.70v
3.81A	4.08A	4.11A	4.72A	4.97A	5.23A
3.51A	3.78A	4.10A	4.31A	4.55A	4.81A
AM1.5, 1000W/M ² , 25°C					
7.7kg					
4 MODULES IN BOX					
10*4					
GLASS/TEDLAR					
20 YEARS/80% YIELD					
Jun-09					