



SP SOLAR SP503

HIGH EFFICIENCY PHOTOVOLTAIC SOLAR MODULE

SP SOLAR only sources products from factories that use guaranteed and certified materials.

This module meets industry standards for consumer safety and reliability and is covered by a comprehensive 20 year warranty.

Low-iron tempered glass is designed to resist impact and increase light transmittance, thus improving daily power generation.

Encapsulating the solar cells between Tempered Glass / EVA / Tedlar guarantees a durable protection for the cells during extreme weather conditions.

The strong aluminium frame with pre-drilled mounting holes allow for easy installation.

Each solar module is equipped with a special IP55 junction box and protective bypass diodes.

Furthermore is each solar module submitted to an individual quality inspection, certifying product quality and output power performance.

CONTACT US

SP SOLAR
Private Bag X7
Wingate Park, 0153

T: 011 316 3115
F: 011 316 1989
C: 076 123 0695
mario@superpipe.co.za
www.spsolar.co.za

APPLICATIONS

- Water pumping ●
- Signalling ●
- Billboard illumination ●
- Rural Electrification ●
- Telecommunication ●
- Streetlights ●



* Data sheet in accordance with the industry requirements - EN50380

SP SOLAR SP503

TYPICAL PERFORMANCE CHARACTERISTICS

	50	55	60
Tolerance (%)		+ - 5%	
Voltage at max.power (V)	17.6	17.8	18.0
Current at max.power (A)	2.8	3.1	3.3
Open circuit voltage (Voc)	21.7	22.0	22.2
Short circuit current (Isc)	3.1	3.4	3.7

TEMPERATURE COEFFICIENTS

Voltage	-80.28mV / degree C
Current	+1.59mA / degree C
Power	-0.46% / degree C
NOCT (degrees)	45

CELLS

Type	Texturized multicrystalline
Dimensions	156 x 67mm
Layout	36 cells (4rows x 9cells)

GENERAL INFORMATION

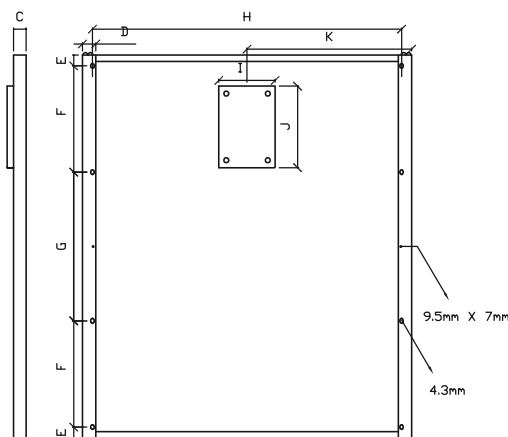
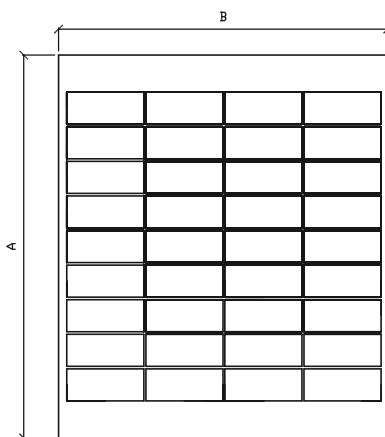
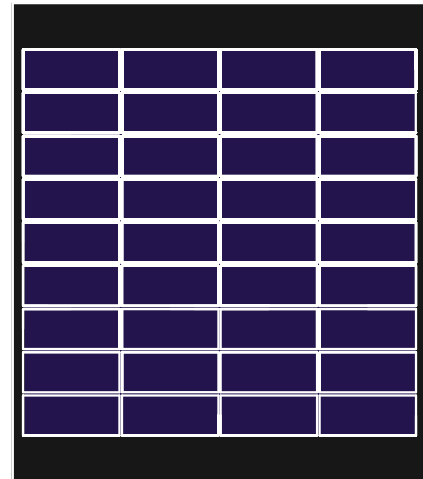
Maximum System voltage	715V
Diodes	2 x 10A bypass
Type of connection	Junction box
Frame	25mm black powder-coated aluminium
Weight (kg)	6.2
Packaging	4 modules per carton box

CERTIFICATION

EC61215	In progress
Safety Class II	In progress

WARRANTY

Product	2 years
Power output	Terrestrial: 20 years / 80% yield Marine: 10 years / 90% yield



A	785
B	670
C	25
D	27
E	22
F	215
G	311
H	630
I	115
J	165
K	325

Dimensions in mm
(tolerance +-2mm)



Electrical Equipment